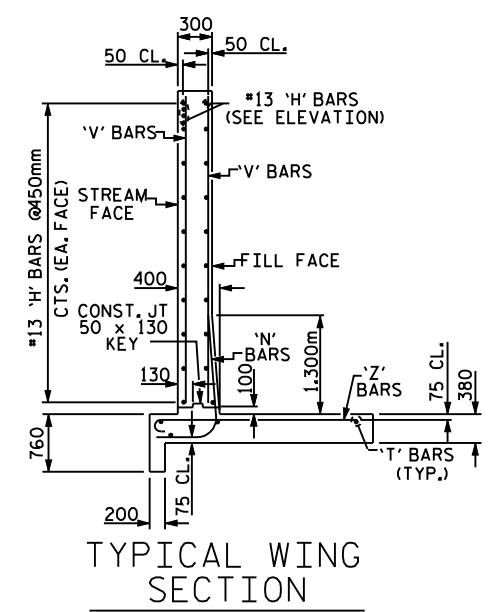
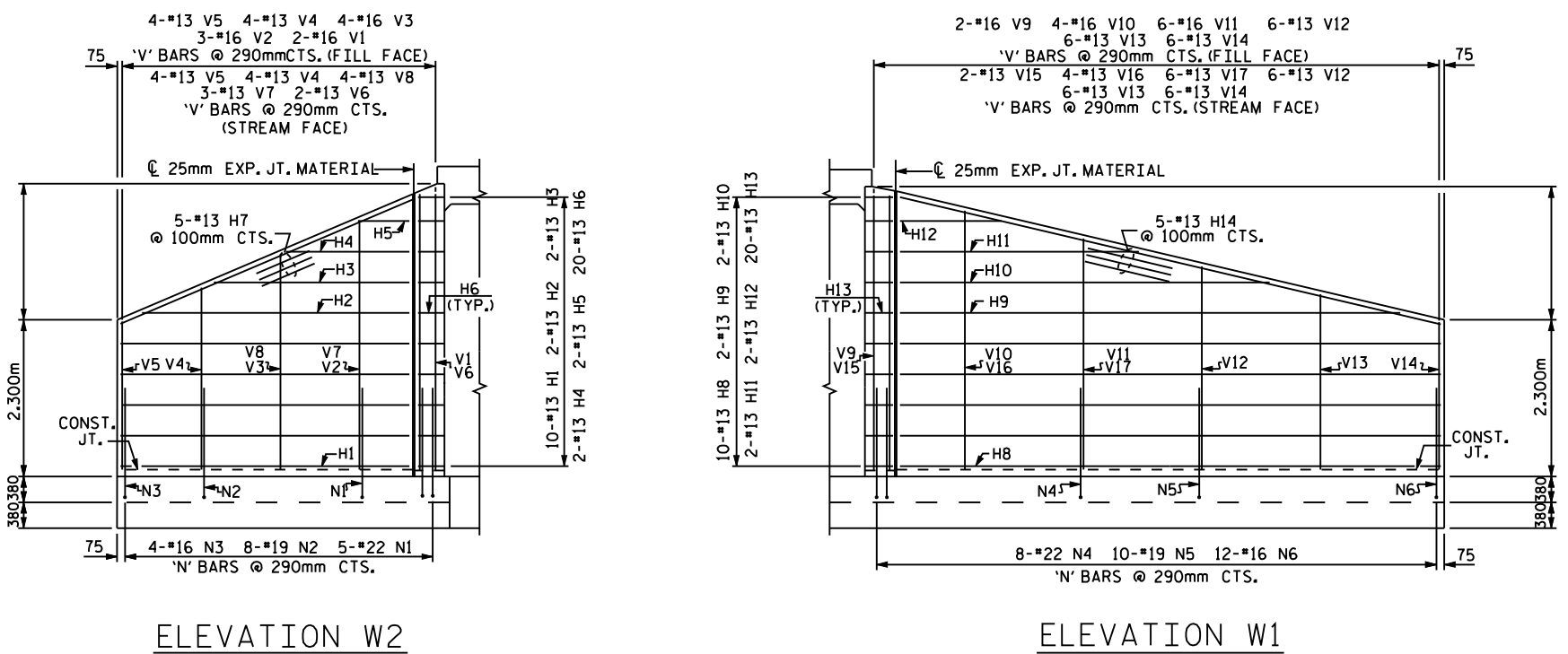


BAR NO.	SIZE	TYPE	LENGTH	WEIGHT	
H1	20	13	STR	4240	84
H2	4	13	STR	3920	16
H3	4	13	STR	2860	11
H4	4	13	STR	1800	7
H5	4	13	STR	740	3
H6	40	13	1	980	39
H7	10	13	STR	4600	46
H8	20	13	STR	7940	158
H9	4	13	STR	7440	30
H10	4	13	STR	5560	22
H11	4	13	STR	3700	15
H12	4	13	STR	1820	7
H13	40	13	2	980	39
H14	10	13	STR	8160	81
N1	10	22	3	2060	63
N2	16	19	3	2060	74
N3	8	16	3	2060	26
N4	16	22	3	2060	100
N5	20	19	3	2060	92
N6	24	16	3	2060	77
S1	12	19	STR	1800	48
T1	8	16	STR	4800	60
T2	8	16	STR	8500	106
V1	4	16	STR	4020	25
V2	6	16	STR	3660	34
V3	8	16	STR	3160	39
V4	16	13	STR	2660	42
V5	16	13	STR	2160	34
V6	4	13	STR	4020	16
V7	6	13	STR	3660	22
V8	8	13	STR	3160	25
V9	4	16	STR	4100	25
V10	8	16	STR	3840	48
V11	12	16	STR	3420	64
V12	24	13	STR	3000	72
V13	24	13	STR	2580	62
V14	24	13	STR	2160	52
V15	4	13	STR	4100	16
V16	8	13	STR	3840	31
V17	12	13	STR	3420	41
Z1	8	22	4	2860	70
Z2	6	19	4	2320	31
Z3	10	19	4	1820	41
Z4	10	16	4	1300	20
Z5	4	22	4	2900	35
Z6	14	22	4	2540	108
Z7	14	19	4	2100	66
Z8	14	19	4	1720	54
Z9	14	16	4	1300	28

REINFORCING STEEL FOR 4 WINGS 2305 kg  
 CLASS A CONCRETE  
 4 WINGS 52.7 m<sup>3</sup>  
 2 HEADWALLS m<sup>3</sup>  
 2 END CURTAIN WALLS m<sup>3</sup>  
 TOTAL m<sup>3</sup>



PROJECT NO. \_\_\_\_\_  
 \_\_\_\_\_ COUNTY  
 STATION: \_\_\_\_\_  
 SHEET OF \_\_\_\_\_

STATE OF NORTH CAROLINA  
 DEPARTMENT OF TRANSPORTATION  
 RALEIGH  
 STANDARD WINGS  
 FOR  
 CONCRETE BOX CULVERT  
 H = 4.000m SLOPE 2:1  
 60° OR 120° SKEW

FOR WING ORIENTATION, SEE BARREL STANDARD SHEET.

ASSEMBLED BY :	DATE :
CHECKED BY :	DATE :
DRAWN BY : KJA 7/97	
CHECKED BY : VAP 7/97	

REVISIONS				SHEET NO.	
NO.	BY:	DATE:	NO.	BY:	DATE:
1			3		
2			4		

TOTAL SHEETS